

U1

VCAP	1	VCAP	64	DVDD
PC13	2	DVSS	63	DVDD
PC14	3	PB09	62	PB09
PC15	4	PB08	61	PB08
PD00	5	BOOT0	60	BOOT0
PD01	6	PB07	59	PB07 U0-RXD
RSTB	7	PB06	58	PB06 U0-TXD
PC00	8	PB05	57	PB05
PC01	9	PB04	56	PB04
PC02	10	PB03	55	PB03
PC03	11	PD02	54	PD02
GND	12	PC12	53	PC12
AVDD	13	PC11	52	PC11
AVDD	14	PC10	51	PC10
PA00	15	PA15	50	PA15
PA01	16	PA14	49	SWCLK
PA02	17	PD07	48	PD07
PD04	18	PD06	47	PD06
PD05	19	PA13	46	SWDIO
PA04	20	PA12	45	PA12
PA05	21	PA11	44	PA11
PA06	22	PA10	43	PA10
PA07	23	PA09	42	PA09
PC04	24	PA08	41	PA08
PC05	25	PC09	40	PC09
PB00	26	PC08	39	PC08
PB01	27	PC07	38	PC07
PB02	28	PC06	37	PC06
PB10	29	PC05	36	PC05
PB11	30	PB15	35	PB15
	31	PB14	34	PB14
	32	PB13	33	PB13
		PB12		PB12

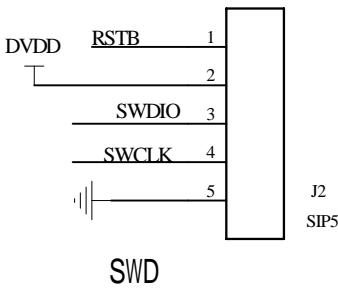
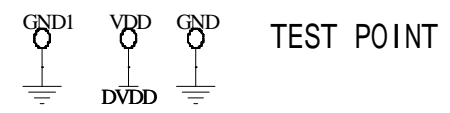
CN5

VCAP	1	2	PC13
GND	3	4	GND
GND	5	6	GND
RSTB	7	8	PC00
PC01	9	10	PC02
PC03	11	12	GND
AVDD	13	14	PA00
PA01	15	16	PA02
PA03	17	18	PD04
PD05	19	20	PA04
PA05	21	22	PA06
PA07	23	24	PC04
PC05	25	26	PB00
PB01	27	28	PB02
PB10	29	30	PB11
GND	31	32	DVDD

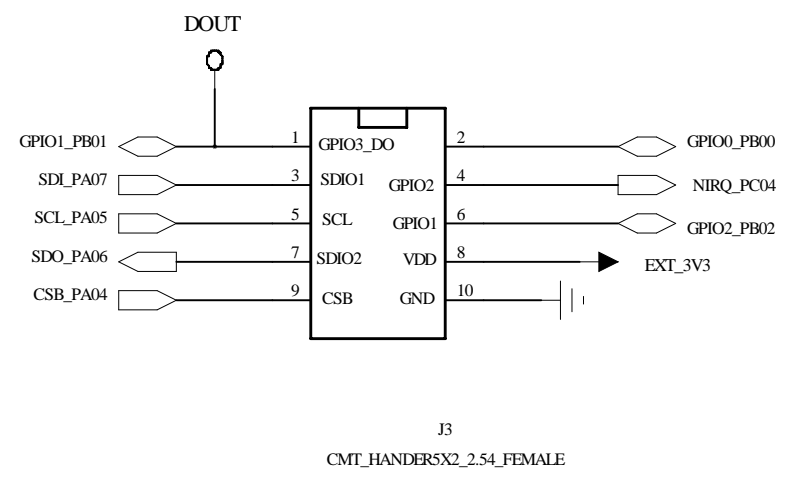
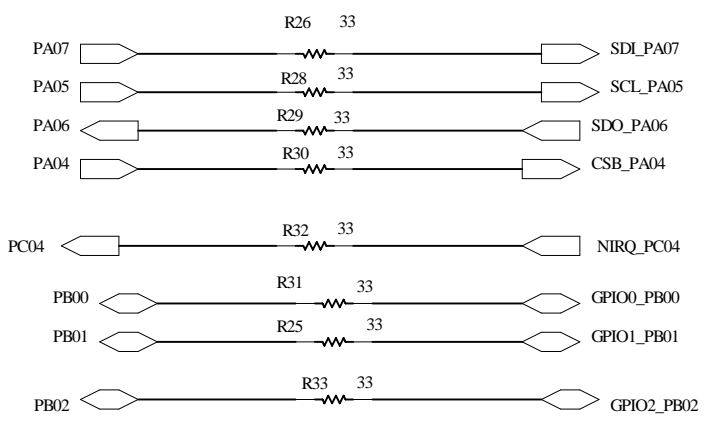
CN6

DVDD	1	2	GND
PB09	3	4	PB08
BOOT0	5	6	PB07 U0-RXD
PB06 U0-TXD	7	8	PB05
PB04	9	10	PB03
PD02	11	12	PC12
PC11	13	14	PC10
PA15	15	16	SWCLK
PD07	17	18	PD06
SWDIO	19	20	PA12
PA11	21	22	PA10
PA09	23	24	PA08
PC09	25	26	PC08
PC07	27	28	PC06
PB15	29	30	PB14
PB13	31	32	PB12

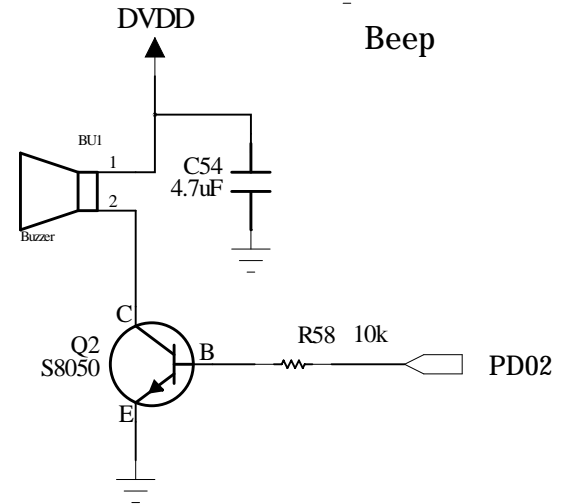
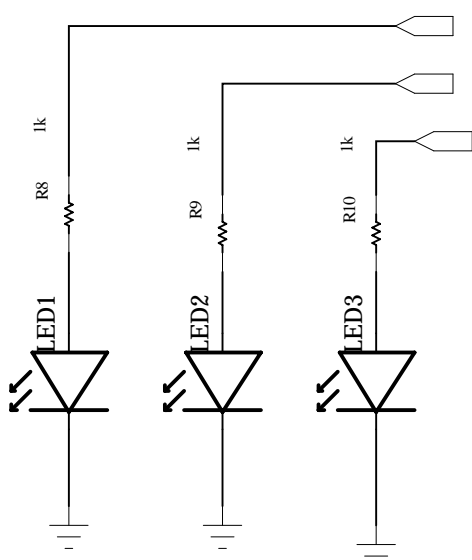
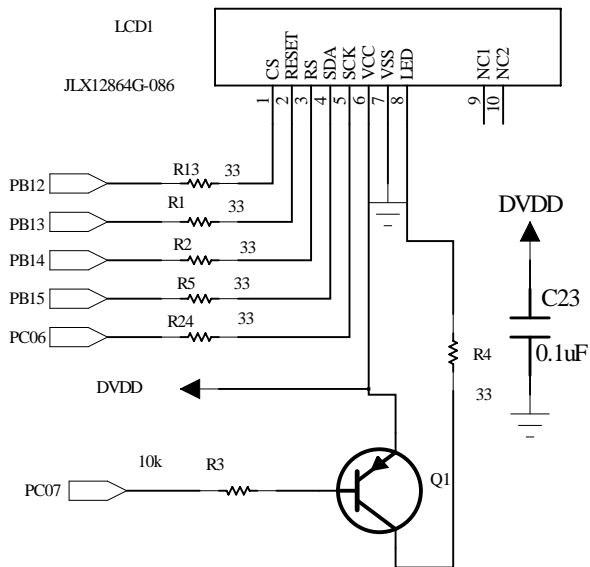
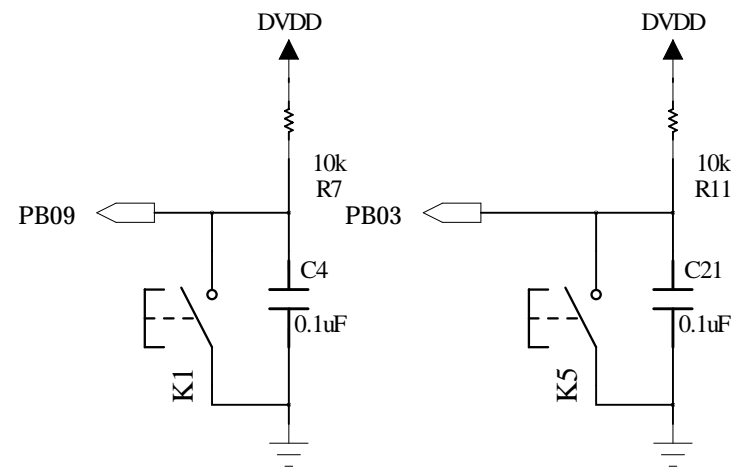
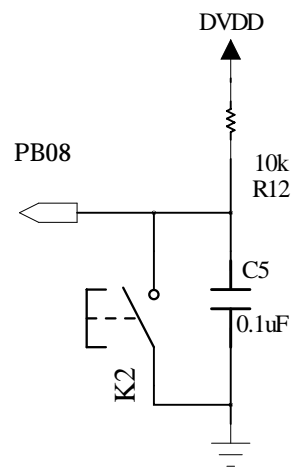
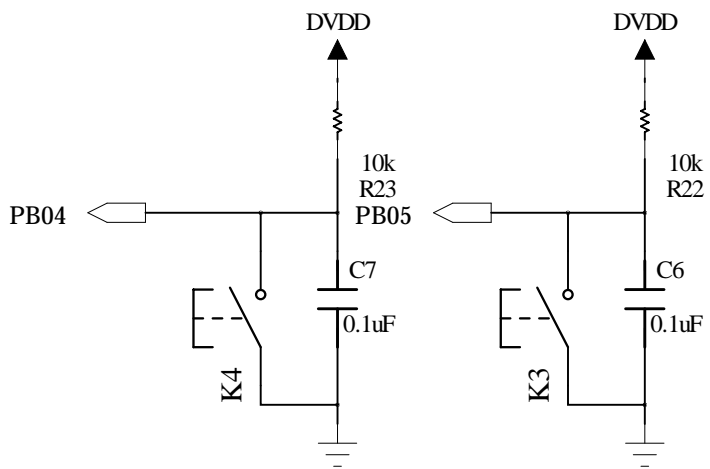
Drawn by:		
Title: STK-HC32LFx3x-LQFP64-MCU		
Size: A4	Document name:	Rev. 1.0
Date:	Sheet 1 of 4	



EXT\_I/O I/F



Drawn by: WangAb		
Title: CMT RF		
Size:	Document name:	Rev. 1.0
Date:	Sheet 2 of 4	



Drawn by: WangAb		
Title: interface		
Size:	Document name:	Rev. 2.0
Date:	Sheet 3 of 4	

1 2 3 4 5 6

A

B

C

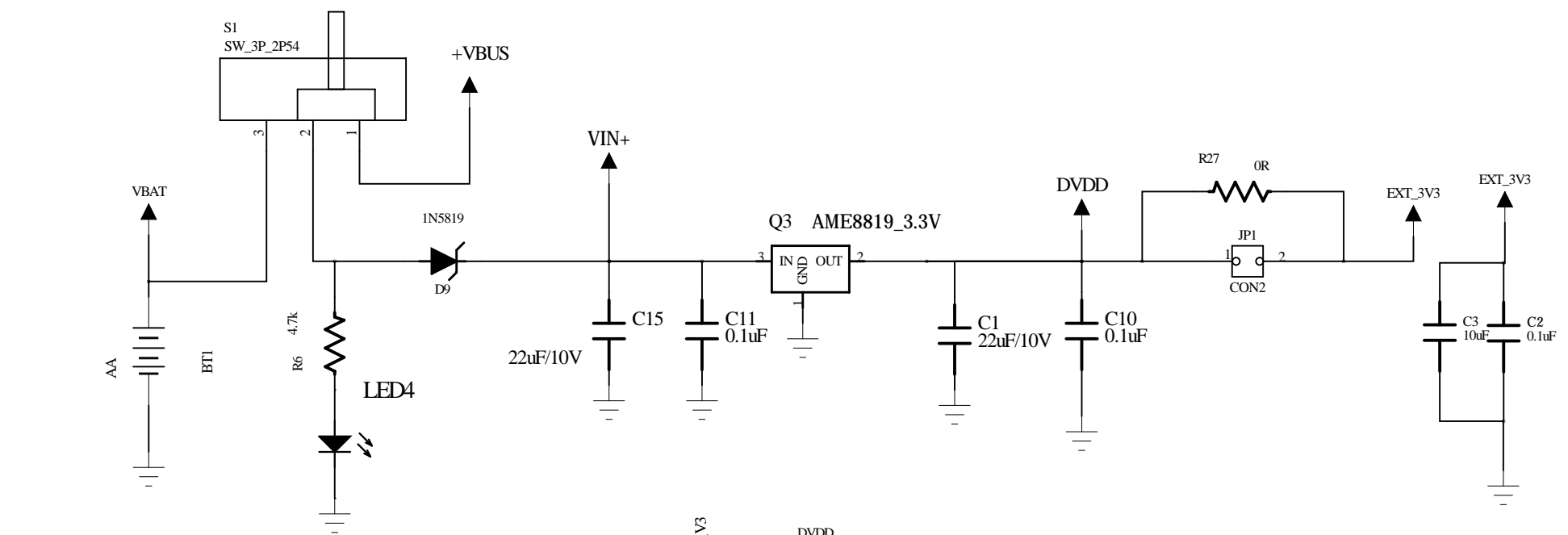
D

A

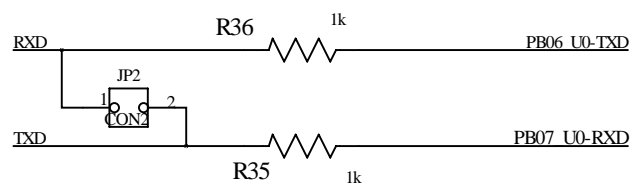
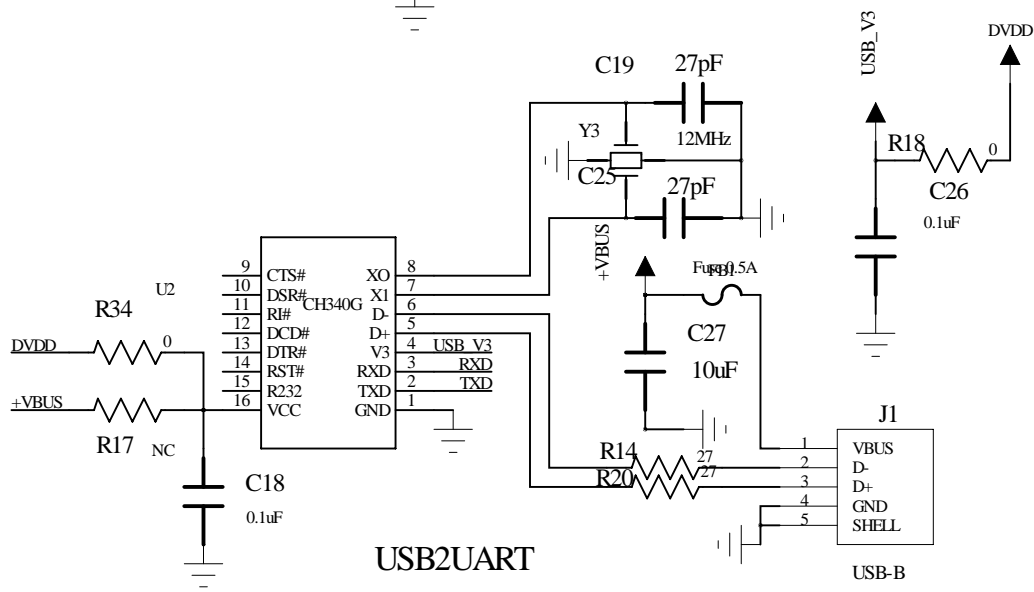
B

C

D



2020-11-4 fixed for HD\_uart



UART0

Drawn by:		WangAb	
Title: Power_usb serial port			
Size:	Document name:		Rev. 2.0
Date:	Sheet 4 of 4		

1 2 3 4 5 6